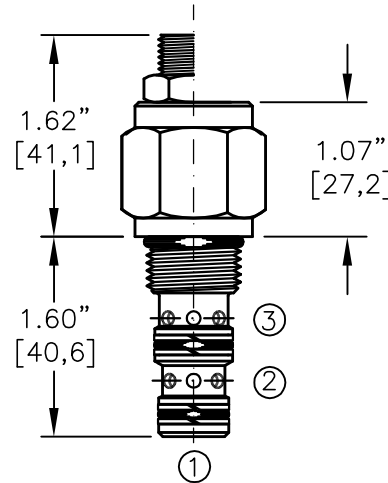
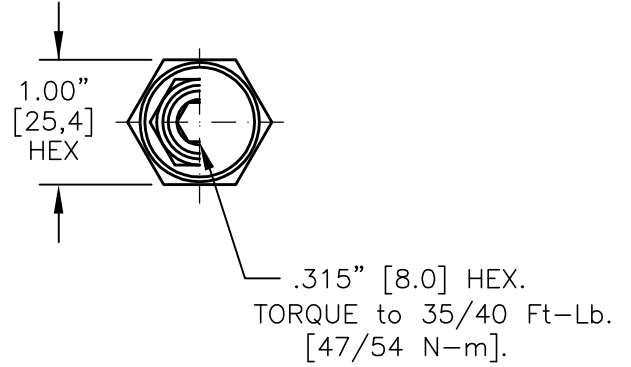
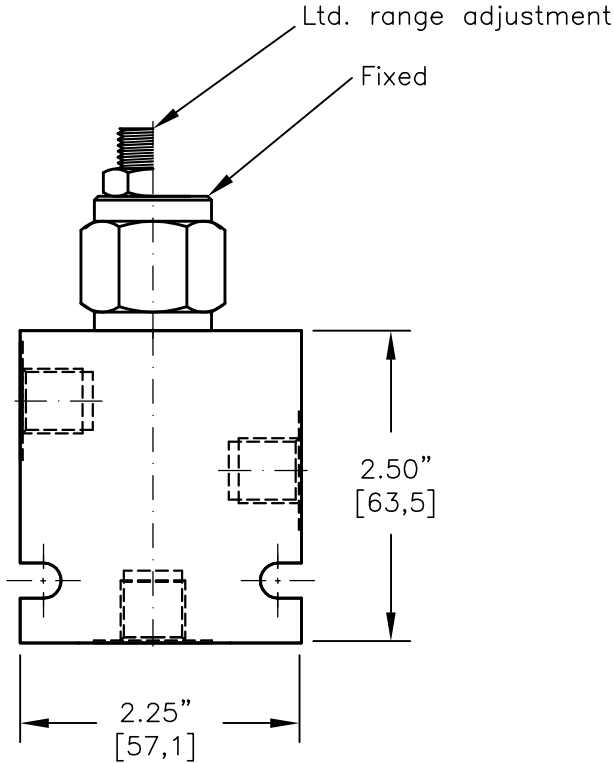
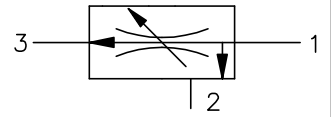




FLOW CONTROL VALVE PRESSURE COMPENSATED, FIXED ORIFICE, PRIORITY TYPE.



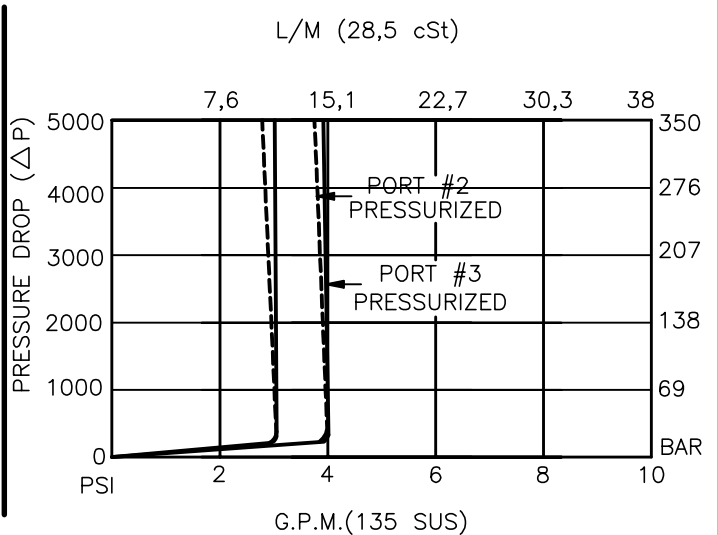
FOR ALUMINUM OR STEEL VALVE HOUSING CONFIGURATIONS SEE PAGE 0-031.1

BFCV-08-X-X-X-XX

- BASIC _____
- SIZE _____
08 = 3/4"-16 UNF
- SEALS _____
N = BUNA "N"
V = VITON
- ADJUSTMENT _____
F = FIXED (FACTORY SET)
S = ADJUSTING SCREW
C = CAPPED
T = TAMPERPROOF
K = HANDKNOB
M = METAL HANDKNOB

- REGULATED FLOW TO BE SPECIFIED
EXAMPLE
1.5=1.5 GPM (5,7l/m)
- PORTS
0 = CARTRIDGE ONLY
02BX = G 1/4" BSPP
06TX = SAE - #6
"A" - ALUM. HOUSING
"S" - STEEL HOUSING

FOR ADJUSTMENT CONTROL OPTIONS SEE PAGE 0-050.0





**FLOW CONTROL VALVE PRESSURE COMPENSATED,
FIXED ORIFICE, PRIORITY TYPE.**

DESCRIPTION – FIXED

This unit is a SCREW IN, cartridge type, pressure compensated, fixed orifice, priority type hydraulic flow control valve.

FLOW RANGE: 0.2 TO 4.0 GPM [0,8 TO 15,1 L\M]

DESCRIPTION – ADJUSTABLE

This unit is a SCREW IN, cartridge type, pressure compensated, fixed orifice, 30% flow adjustment, priority type hydraulic flow control valve.

FLOW RANGE: 0.2 TO 6.0 GPM [0,8 TO 22,7 L\M]

Flow adjustment under pressure is difficult.

OPERATIONS

Valve maintains constant flow from port 1 to 3 regardless of system pressure or load and excess flow is diverted to port 2. Flow from port 3 goes thru the control orifice to port 1 at non-compensated flow.

FEATURES AND BENEFITS

Valve is available with a screw, tamperproof, capped or knob adjustment. All external carbon steel parts are plated for longer life against the elements. All cartridge valves are 100% functionally tested. Industry common cavity.

SPECIFICATIONS

OPERATING PRESSURE: 5,000 PSI (350 Bar)

PROOF PRESSURE: 10,000 PSI (700 Bar)

FLOW: 0.2 to 6.0 GPM [0,8 to 22,7 l/m] nominal. See performance chart.

FLOW ACCURACY:

0.2 to 1.5 GPM [0,9 to 6,0 L\M] = +\ - 10.0%

1.5 to 6.0 GPM [6,0 to 22,7 L\M] = +\ - 7.5%

VALVE HOUSINGS: 2500 PSI [175 Bar] = Aluminum – Anodized.

5000 PSI [350 Bar] = Steel – Unplated.

OPERATING TEMPERATURE: -40° to +250° F. [-40° to +120° C.]

OPERATING MEDIA: All general purpose hydraulic fluids such as MIL-H-5606, SAE-#10, SAE-#20, etc.

INSTALLATION: No restrictions.

SEAL KIT: SKN-0830 Buna "N".

SKV-0830 Viton.

WEIGHT: .28 lb [.13 kg] cartridge only.

VALVE CAVITY: #C0830, See Page 0-031.0.